

ISUZU
TRUCK

N-SERIES

For additional information on Isuzu's full line of Low Cab Forward trucks

please visit www.isuzucv.com
or call **(866) 441-9638**

All photographs, illustrations, equipment and technical data in this brochure are based on the latest information available at the time of publication. Isuzu Commercial Truck of America, Inc. reserves the right to make changes at any time, without notice, in prices, colors, materials, equipment, specifications and models, and to discontinue models or equipment. Isuzu vehicles are assembled from component parts manufactured by Isuzu Motors Limited, its affiliated companies, and by independent suppliers who manufacture such components to Isuzu's exacting standards for quality, performance and safety. Some vehicles are shown with optional equipment. Some equipment is dealer installed. Visit your authorized Isuzu dealer for warranty and other details. NPR, NPR-HD, NPR-XD, NQR, and NRR are trademarks of Isuzu Motors Limited. Truck bodies represented herein are products of Supreme Corporation, M.H.Eby, Inc., Morgan Corporation, The Reading Group LLC, Tymco, Inc., Switch N Go a division of Deist Industries, Inc., Aero Tech Manufacturing, Inc., Thermo King, and New Way Refuse Trucks a product of Scranton Manufacturing Company. Facebook is a registered trademark of Facebook, Inc. Instagram is a registered trademark of Instagram, LLC. Twitter is a registered trademark of Twitter, Inc. LinkedIn is a registered trademark of LinkedIn Corporation. Google+ is a registered trademark of Google, Inc. Isuzu is not sponsored by or affiliated with these platforms.



TM10203 (3/16)

Copyright © 2016 Isuzu Commercial Truck of America, Inc.

GAS



N-SERIES GAS

The Only Gas Low Cab Forward in the Medium Duty Market

Standard Cab:

Body choices 10 ft. to 20 ft.*
GVWRs 12,000 lbs. to 14,500 lbs.
Wheelbases 109.0 in. to 176.0 in.

Crew Cab: Seating for Seven

Body choices 12 ft. to 16 ft.*
GVWRs 12,000 lbs. to 14,500 lbs.
Wheelbases 150.0 in. to 176.0 in.

Easy to Drive: Outstanding driver visibility and maneuverability that provides an exceptional driving experience



Gas Choices

297hp 6.0L with
CNG/LPG Capability



ISUZU **NPR**

Gas or CNG/LPG Capable
12,000 lb. GVWR
Body of your choice
up to 20 ft.*

ISUZU **NPR HD**

Gas or CNG/LPG Capable
14,500 lb. GVWR
Body of your choice
up to 20 ft.*

ISUZU **NPR**

CREW CAB
Gas or CNG/LPG Capable
12,000 lb. GVWR
Body of your choice
up to 16 ft.*

ISUZU **NPR HD**

CREW CAB
Gas or CNG/LPG Capable
14,500 lb. GVWR
Body of your choice
up to 16 ft.*

* Wheelbase dimension determines maximum body length

DIESEL



ISUZU **NPR**

150 hp. 3.0L
13,000 lb. GVWR
Body of your choice
up to 20 ft.*

ISUZU **NPR_{HD}**

215 hp. 5.2L
14,500 lb. GVWR
Body of your choice
up to 20 ft.*

ISUZU **NPR_{XD}**

215 hp. 5.2L
16,000 lb. GVWR
Body of your choice
up to 20 ft.*

ISUZU **NQR**

215 hp. 5.2L
17,950 lb. GVWR
Body of your choice
up to 22 ft.*

ISUZU **NRR**

215 hp. 5.2L
19,500 lb. GVWR
Body of your choice
up to 24 ft.*

ISUZU **NPR_{HD}**

215 hp. 5.2L
14,500 lb. GVWR
Body of your choice
up to 16 ft.*

ISUZU **NPR_{XD}**

215 hp. 5.2L
16,000 lb. GVWR
Body of your choice
up to 16 ft.*

ISUZU **NQR**

215 hp. 5.2L
17,950 lb. GVWR
Body of your choice
up to 16 ft.*

N-SERIES DIESEL 13,000 lbs. GVWR - 19,950 lbs. GVWR

Standard Cab:

Body choices 10 ft. to 24 ft.*
GVWRs 13,000 lbs. to 19,500 lbs.
Wheelbases 109.0 in. to 212.0 in.

Crew Cab: Seating for Seven

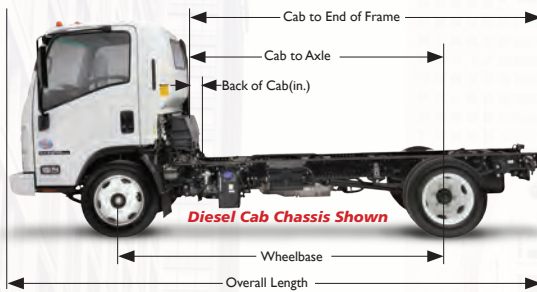
Body choices 12 ft. to 16 ft.*
GVWRs 14,500 lbs. to 17,950 lbs.
Wheelbases 150.0 in. to 176.0 in.

Easy to Drive: Outstanding driver visibility and maneuverability that provides an exceptional driving experience

CREW CAB

* Wheelbase dimension determines maximum body length

N-Series Dimensions



Diesel Cab Chassis Shown



Diesel Cab Chassis Shown

NPR-HD / NPR-XD / NQR DIESEL CREW CAB

Wheelbase (in.)	Cab to Axle (in.)	Cab to End of Frame (in.)	Back of Cab (in.)	Overall Length (in.)	Overall Width (in.)	Axle Width (in.)	Overall Height (in.)	Body Length (ft.)
150.0	88.5	131.6	5.3	241.5	81.3	65.6	90.8/92.4*	12
176.0	114.5	157.6	5.3	267.5	81.3	65.6	90.8/92.4*	16

*NPR-HD Crew Cab/NPR-XD Crew Cab, NQR Crew Cab

NPR / NPR-HD GAS CREW CAB

Wheelbase (in.)	Cab to Axle (in.)	Cab to End of Frame (in.)	Back of Cab (in.)	Overall Length (in.)	Overall Width (in.)	Axle Width (in.)	Overall Height (in.)	Body Length (ft.)
150.0	88.5	131.6	5.0	241.5	81.3	65.6	90.0/91.1	12
176.0	114.5	157.6	5.0	267.5	81.3	65.6	90.0/91.1	16

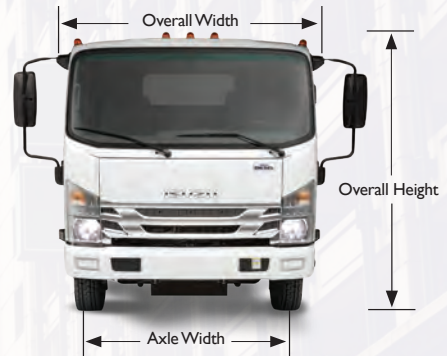
2016/2017 ISUZU N-SERIES DIESEL WARRANTY COVERAGE AT A GLANCE

Vehicle Coverage	Warranty Limitations (Time or Mileage, Whichever Comes First)*		Percentage Of Dealer's Normal Charge Paid By Owner	
	Time in years*	Vehicle miles*	Parts	Labor
Basic	0-3 Years	Unlimited	No Charge	No Charge
Engine	0-3 Years	Unlimited	No Charge	No Charge
• Transmission • Drive Axle • Driveshaft • Front Axle I-Beam • Crossmembers • Flywheel Housing • Clutch Housing	0-3 Years	Unlimited	No Charge	No Charge
Frame Rails	0-3 Years 3-5 Years	Unlimited Unlimited	No Charge 50%	No Charge 50%
Engine Emissions Control System - Federal	0-5 Years	0-100,000	No Charge	No Charge
California Emissions Performance: NPR	0-3 Years	0-50,000	No Charge	No Charge
California Emissions Long-Term Defects: NPR	0-7 Years	0-70,000	No Charge	No Charge
Tires	0-2 Years	0-24,000	No Charge	No Charge
Corrosion (Rust Through)	0-4 Years	Unlimited	No Charge	No Charge

* The warranty coverages are determined by the mileage of the vehicle and the number of years from the delivery date.
See your authorized Isuzu dealer for warranty details.

Diesel (Illustrated) Gas (See Charts)

N-SERIES TRUCKS



NPR, NPR-HD, NPR-XD, NQR, NRR

Wheelbase (in.)	Cab to Axle (in.)	Cab to End of Frame (in.)	Back of Cab (in.)	Overall Length (in.)	Overall Width (in.)	Axle Width (in.)	Overall Height (in.)	Body Length (ft.)
109.0	86.5	129.6	7.7	200.5	81.3	65.6	90.8/92.4**	10-12
132.5	110.0	153.1	7.7	224.0	81.3	65.6	90.8/92.4**	14
150.0	127.5	170.6	7.7**	241.5	81.3	65.6	90.8/92.4**	16-18
176.0	153.5	196.6	7.7**	267.5	81.3	65.6	90.8/92.4**	18-20
200.0††	177.5	220.6	7.7	291.5	81.3	65.6	92.4	22
212.0†††	189.5	232.6	7.7	303.5	81.3	65.6	92.4	24

†NPR-HD only 10.2 ††NQR, NRR only †††NRR only *NPR only 6.1
**NPR, NPR-HD/NPR-XD, NQR, NRR

NPR / NPR-HD GAS

Wheelbase (in.)	Cab to Axle (in.)	Cab to End of Frame (in.)	Back of Cab (in.)	Overall Length (in.)	Overall Width (in.)	Axle Width (in.)	Overall Height (in.)	Body Length (ft.)
109.0	86.5	129.6	6.5	200.5	81.3	65.6	90.8	10-12
132.5	110.0	153.1	6.5	224.0	81.3	65.6	90.8	14
150.0	127.5	170.6	6.5	241.5	81.3	65.6	90.8	16-18
176.0	153.5	196.6	6.5	267.5	81.3	65.6	90.8	18-20

2016 ISUZU N-SERIES GAS WARRANTY COVERAGE AT A GLANCE

Vehicle Coverage	Warranty Limitations (Time or Mileage, Whichever Comes First)*		Percentage Of Dealer's Normal Charge Paid By Owner	
	Time in years*	Vehicle miles*	Parts	Labor
Basic	0-3 Years	0-36,000	No Charge	No Charge
Engine	0-5 Years	0-75,000	No Charge	No Charge
• Transmission • Drive Axle • Driveshaft • Front Axle I-Beam • Crossmembers	0-5 Years	0-75,000	No Charge	No Charge
Frame Rails	0-3 Years 3-5 Years	0-36,000 Unlimited	No Charge 50%	No Charge 50%
Federal Emissions	0-5 Years	0-50,000	No Charge	No Charge
Engine Emissions Control System (NPR model) California	0-3 Years	0-50,000	No Charge	No Charge
Engine Emissions Control System (NPR model) California	0-7 Years	0-70,000	No Charge	No Charge
Tires	0-2 Years	0-24,000	No Charge	No Charge
Corrosion (Rust Through)	0-4 Years	Unlimited	No Charge	No Charge

**GAS N-SERIES
SPECIFICATIONS**

GVWR/GCWR	12,000/18,000 lbs.
BODY/PAYLOAD ALLOWANCE	6,782-6,978 lbs.
GAWR	
Front	4,860 lbs.
Rear	8,840 lbs.
FRONT AXLE CAPACITY	6,830 lbs.
REAR AXLE CAPACITY	11,020 lbs.
Ratio	5.125
SUSPENSION F/R SPRINGS	Tapered/Multi-Leaf
Capacity	8,440/12,900 lbs.
FRAME	
Section Modulus	7.20 in.3
Resistance Bending Moment	316,800 lb.-ft./in.
SERVICE BRAKES	Vacuum/Hydraulic with
Front/Rear	4-Channel ABS Disc/Drum
TRANSMISSION	6L90 6-speed auto. with
	double overdrive and
	lock-up converter
ENGINE	GMPT L96 (Gen IV) V8 Vortec
	6000 (Optional: KL8-Alternative
	Fuel Capable Engine)
Displacement	6.0L (365 in.3)
Engine Power	297hp @ 4,300 rpm
Engine Torque	372 lb.-ft. @ 4,000 rpm
LIMITED SLIP DIFFERENTIAL	Optional
ALTERNATOR	145-amp
BATTERIES	1 Maintenance-Free
	750-CCA
TIRES LRR	215/85R16E (10-pr)
(Low Rolling Resistance)	Standard
STEERING	Integral Hydraulic Power
STEERING COLUMN	Tilt and Telescopic
FUEL TANK	30 Gal. in-frame

**NPR
GAS****NPR
GAS CREW CAB**

GVWR/GCWR	12,000/18,000 lbs.
BODY/PAYLOAD ALLOWANCE	6,246-6,308 lbs.
GAWR	
Front	4,860 lbs.
Rear	8,840 lbs.
FRONT AXLE CAPACITY	6,830 lbs.
REAR AXLE CAPACITY	11,020 lbs.
Ratio	5.125
SUSPENSION F/R SPRINGS	Tapered/Multi-Leaf
Capacity	8,440/12,900 lbs.
FRAME	
Section Modulus	7.20 in.3
Resistance Bending Moment	316,800 lb.-ft./in.
SERVICE BRAKES	Vacuum/Hydraulic with
Front/Rear	4-Channel ABS Disc/Drum
TRANSMISSION	6L90 6-speed auto. with
	double overdrive and
	lock-up converter
ENGINE	GMPT L96 (Gen IV) V8 Vortec
	6000 (Optional: KL8-Alternative
	Fuel Capable Engine)
Displacement	6.0L (365 in.3)
Engine Power	297hp @ 4,300 rpm
Engine Torque	372 lb.-ft. @ 4,000 rpm
LIMITED SLIP DIFFERENTIAL	Optional
ALTERNATOR	145-amp
BATTERIES	1 Maintenance-Free
	750-CCA
TIRES LRR	215/85R16E (10-pr)
(Low Rolling Resistance)	Standard
STEERING	Integral Hydraulic Power
STEERING COLUMN	Tilt and Telescopic
FUEL TANK	30 Gal. in-frame

**NPR-HD
GAS**

GVWR/GCWR	14,500/20,500 lbs.
BODY/PAYLOAD ALLOWANCE	8,977-9,174 lbs.
GAWR	
Front	6,630 lbs.
Rear	11,020 lbs.
FRONT AXLE CAPACITY	6,830 lbs.
REAR AXLE CAPACITY	11,020 lbs.
Ratio	5.375
SUSPENSION F/R SPRINGS	Tapered/Multi-Leaf
Capacity	8,440/12,900 lbs.
FRAME	
Section Modulus	7.20 in.3
Resistance Bending Moment	316,800 lb.-ft./in.
SERVICE BRAKES	Vacuum/Hydraulic with
Front/Rear	4-Channel ABS Disc/Drum
TRANSMISSION	6L90 6-speed auto. with
	double overdrive and
	lock-up converter
ENGINE	GMPT L96 (Gen IV) V8 Vortec
	6000 (Optional: KL8-Alternative
	Fuel Capable Engine)
Displacement	6.0L (365 in.3)
Engine Power	297hp @ 4,300 rpm
Engine Torque	372 lb.-ft. @ 4,000 rpm
LIMITED SLIP DIFFERENTIAL	Optional
ALTERNATOR	145-amp
BATTERIES	1 Maintenance-Free
	750-CCA
TIRES LRR	225/70R19.5G (14-pr)
(Low Rolling Resistance)	Standard
STEERING	Integral Hydraulic Power
STEERING COLUMN	Tilt and Telescopic
FUEL TANK	30 Gal. in-frame

**NPR-HD
GAS CREW CAB**

GVWR/GCWR	14,500/20,500 lbs.
BODY/PAYLOAD ALLOWANCE	8,442-8,503 lbs.
GAWR	
Front	6,630 lbs.
Rear	11,020 lbs.
FRONT AXLE CAPACITY	6,830 lbs.
REAR AXLE CAPACITY	11,020 lbs.
Ratio	5.375
SUSPENSION F/R SPRINGS	Tapered/Multi-Leaf
Capacity	8,440/12,900 lbs.
FRAME	
Section Modulus	7.20 in.3
Resistance Bending Moment	316,800 lb.-ft./in.
SERVICE BRAKES	Vacuum/Hydraulic with
Front/Rear	4-Channel ABS Disc/Drum
TRANSMISSION	6L90 6-speed auto. with
	double overdrive and
	lock-up converter
ENGINE	GMPT L96 (Gen IV) V8 Vortec
	6000 (Optional: KL8-Alternative
	Fuel Capable Engine)
Displacement	6.0L (365 in.3)
Engine Power	297hp @ 4,300 rpm
Engine Torque	372 lb.-ft. @ 4,000 rpm
LIMITED SLIP DIFFERENTIAL	Optional
ALTERNATOR	145-amp
BATTERIES	1 Maintenance-Free
	750-CCA
TIRES LRR	225/70R19.5G (14-pr)
(Low Rolling Resistance)	Standard
STEERING	Integral Hydraulic Power
STEERING COLUMN	Tilt and Telescopic
FUEL TANK	30 Gal. in-frame

DIESEL N-SERIES NPR SPECIFICATIONS

GVWR/GCWR	13,000/19,000 lbs.
BODY/PAYLOAD ALLOWANCE	7,435-7,607 lbs.
GAWR	
Front	5,360 lbs.
Rear	9,880 lbs.
FRONT AXLE CAPACITY	6,830 lbs.
REAR AXLE CAPACITY	11,020 lbs.
Ratio	5.125
SUSPENSION F/R SPRINGS	Tapered/Multi-Leaf
Capacity	6,830/9,880 lbs.
FRAME	
Section Modulus	7.20 in. ³
Resistance Bending Moment	316,800 lb.-ft./in.
SERVICE BRAKES	Vacuum/Hydraulic with 4-Channel ABS Disc/Drum
Front/Rear	
EXHAUST BRAKE	Standard
TRANSMISSION	Aisin A460 6-speed auto. with double overdrive and lock-up 2 nd -6 th gears
ENGINE	Isuzu 4JJ1-TC turbocharged intercooled diesel
Displacement	3.0L (183 in. ³)
Engine Power	150hp @ 2,800 rpm
Engine Torque	282 lb.-ft. @ 1,600-2,800 rpm
Oil Level Indicator	Dash-mounted oil level check switch and light
LIMITED SLIP DIFFERENTIAL	Optional
ALTERNATOR	140-amp
BATTERIES	2 Maintenance-Free 750-CCA
TIRES LRR (Low Rolling Resistance)	215/85R16E (10-pr) Standard
STEERING	Integral Hydraulic Power
STEERING COLUMN	Tilt and Telescopic
FUEL TANK	
Standard	30 Gal. in-rail
Optional	N/A
FUEL/WATER SEPARATOR	Dual fuel filter with dash mounted indicator light

NPR-HD

14,500/20,500 lbs.
8,339-8,536 lbs.
5,360 lbs.
9,880 lbs.
6,830 lbs.
11,020 lbs.
4.555
Tapered/Multi-Leaf
6,830/9,880 lbs.
7.20 in. ³
316,800 lb.-ft./in.
Vacuum/Hydraulic with 4-Channel ABS Disc/Drum
Standard
Aisin A465 6-speed auto. with double overdrive and lock-up 2 nd -6 th gears
Isuzu 4HK1-TC turbocharged intercooled diesel
5.2L (317 in. ³)
215hp @ 2,500 rpm
452 lb.-ft. @ 1,850 rpm
Dash-mounted oil level check switch and light
Optional
140-amp
2 Maintenance-Free 750-CCA
215/85R16E (10-pr) Standard
Integral Hydraulic Power
Tilt and Telescopic
30 Gal. in-rail
33 Gal. side mount (176" WB Only)
Dual fuel filter with dash mounted indicator light

NPR-HD CREW CAB

14,500/20,500 lbs.
7,766-7,832 lbs.
5,360 lbs.
9,880 lbs.
6,830 lbs.
11,020 lbs.
4.555
Tapered/Multi-Leaf
6,830/9,880 lbs.
11.89 in. ³
523,160 lb.-ft./in.
Vacuum/Hydraulic with 4-Channel ABS Disc/Drum
Standard
Aisin A465 6-speed auto. with double overdrive and lock-up 2 nd -6 th gears
Isuzu 4HK1-TC turbocharged intercooled diesel
5.2L (317 in. ³)
215hp @ 2,500 rpm
452 lb.-ft. @ 1,850 rpm
Dash-mounted oil level check switch and light
Optional
140-amp
2 Maintenance-Free 750-CCA
215/85R16E (10-pr) Standard
Integral Hydraulic Power
Tilt and Telescopic
30 Gal. in-rail
N/A
Dual fuel filter with dash mounted indicator light

NPR-XD

16,000 lbs./22,000 lbs.
9,410-9,607 lbs.
6,630 lbs.
11,020 lbs.
6,830 lbs.
11,020 lbs.
4.777
Tapered/Multi-Leaf
8,440/14,308 lbs.
7.20 in. ³
316,800 lb.-ft./in.
Vacuum/Hydraulic with 4-Channel ABS Disc/Drum
Standard
Aisin A465 6-speed auto. with double overdrive and lock-up 2 nd -6 th gears
Isuzu 4HK1-TC turbocharged intercooled diesel
5.2L (317 in. ³)
215hp @ 2,500 rpm
452 lb.-ft. @ 1,850 rpm
Dash-mounted oil level check switch and light
Optional
140-amp
2 Maintenance-Free 750-CCA
225/70R19.5F (12-pr) Standard
Integral Hydraulic Power
Tilt and Telescopic
30 Gal. in-rail
33 Gal. side mount (176" WB Only)
Dual fuel filter with dash mounted indicator light

DIESEL N-SERIES NPR-XD**SPECIFICATIONS***(Continued)*

GVWR/GCWR	16,000 lbs./22,000 lbs.	17,950/23,950 lbs.
BODY/PAYLOAD ALLOWANCE	8,840-8,905 lbs.	10,939-11,461 lbs.
GAWR		
<i>Front</i>	6,630 lbs.	6,830 lbs.
<i>Rear</i>	11,020 lbs.	12,980 lbs.
FRONT AXLE CAPACITY	6,830 lbs.	6,830 lbs.
REAR AXLE CAPACITY	11,020 lbs.	14,550 lbs.
<i>Ratio</i>	4.777	5.125
SUSPENSION F/R SPRINGS	Tapered/Multi-Leaf	Tapered/Multi-Leaf
<i>Capacity</i>	8,440/14,308 lbs.	8,440/14,550 lbs.
FRAME		
<i>Section Modulus</i>	11.89 in. ³	7.20 in. ³
<i>Resistance Bending Moment</i>	523,160 lb.-ft./in.	316,800 lb.-ft./in.
SERVICE BRAKES	Vacuum/Hydraulic with 4-Channel ABS Disc/Drum	Hydraulic Boosted with 4-Channel ABS Disc/Drum
<i>Front/Rear</i>		
EXHAUST BRAKE	Standard	Standard
TRANSMISSION	Aisin A465 6-speed auto. with double overdrive and lock-up 2 nd -6 th gears	Aisin A465 6-speed auto. with double overdrive and lock-up 2 nd -6 th gears
ENGINE	Isuzu 4HK1-TC turbocharged intercooled diesel	Isuzu 4HK1-TC turbocharged intercooled diesel
<i>Displacement</i>	5.2L (317 in. ³)	5.2L (317 in. ³)
<i>Engine Power</i>	215hp @ 2,500 rpm	215hp @ 2,500 rpm
<i>Engine Torque</i>	452 lb.-ft. @ 1,850 rpm	452 lb.-ft. @ 1,850 rpm
<i>Oil Level Indicator</i>	Dash-mounted oil level check switch and light	Dash-mounted oil level check switch and light
LIMITED SLIP DIFFERENTIAL	Optional	Optional
ALTERNATOR	140-amp	140-amp
BATTERIES	2 Maintenance-Free 750-CCA	2 Maintenance-Free 750-CCA
TIRES LRR (Low Rolling Resistance)	225/70R19.5F (12-pr) Standard	225/70R19.5F (12-pr) Standard
STEERING	Integral Hydraulic Power	Integral Hydraulic Power
STEERING COLUMN	Tilt and Telescopic	Tilt and Telescopic
FUEL TANK		
<i>Standard</i>	30 Gal. in-rail	30 Gal. in-rail
<i>Optional</i>	N/A	33 Gal. side mount (176" WB Only)
FUEL/WATER SEPARATOR	Dual fuel filter with dash mounted indicator light	Dual fuel filter with dash mounted indicator light

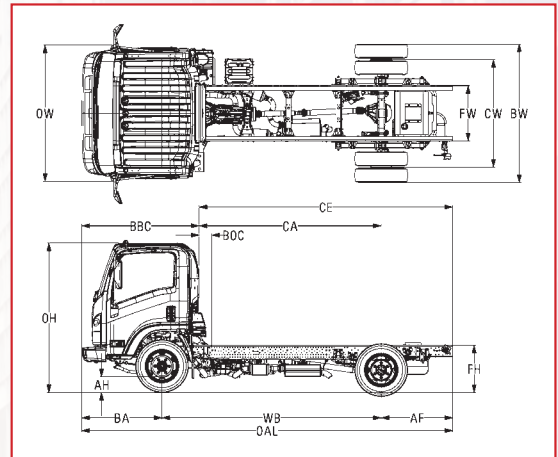
NQR**NQR****CREW CAB**

17,950/23,950 lbs.	19,500/25,500 lbs.
10,680-10,748 lbs.	12,294-12,875 lbs.
6,830 lbs.	7,275 lbs.
12,980 lbs.	13,660 lbs.
6,830 lbs.	7,275 lbs.
14,550 lbs.	14,550 lbs.
5.125	5.571
Tapered/Multi-Leaf	Tapered/Multi-Leaf
8,440/14,550 lbs.	8,440/14,550 lbs.
11.89 in. ³	7.20 in. ³
523,160 lb.-ft./in.	316,800 lb.-ft./in.
Hydraulic Boosted with 4-Channel ABS Disc/Drum	Hydraulic Boosted with 4-Channel ABS Disc/Drum
Standard	Standard
Aisin A465 6-speed auto. with double overdrive and lock-up 2 nd -6 th gears	Aisin A465 6-speed auto. with double overdrive and lock-up 2 nd -6 th gears
Isuzu 4HK1-TC turbocharged intercooled diesel	Isuzu 4HK1-TC turbocharged intercooled diesel
5.2L (317 in. ³)	5.2L (317 in. ³)
215hp @ 2,500 rpm	215hp @ 2,500 rpm
452 lb.-ft. @ 1,850 rpm	452 lb.-ft. @ 1,850 rpm
Dash-mounted oil level check switch and light	Dash-mounted oil level check switch and light
Optional	Optional
140-amp	140-amp
2 Maintenance-Free 750-CCA	2 Maintenance-Free 750-CCA
225/70R19.5F (12-pr) Standard	225/70R19.5F (12-pr) Standard
Integral Hydraulic Power	Integral Hydraulic Power
Tilt and Telescopic	Tilt and Telescopic
30 Gal. in-rail	30 Gal. in-rail
N/A	33 Gal. side mount (176" WB Only)
Dual fuel filter with dash mounted indicator light	Dual fuel filter with dash mounted indicator light

NRR

STANDARD CAB

GVWR/GCWR	12,000/18,000 lbs.
BODY/PAYLOAD ALLOWANCE	6,782 - 6,978 lbs.
GAWR	
Front	4,860 lbs.
Rear	8,840 lbs.
FRONT AXLE CAPACITY	6,830 lbs.
REAR AXLE CAPACITY	11,020 lbs.
Ratio	5.125
SUSPENSION F/R SPRINGS	Tapered/Multi-Leaf
Capacity	8,440/12,900 lbs.
FRAME	
Section Modulus	7.20 in. ³
Resistance Bending Moment	316,800 lb.-ft./in.
SERVICE BRAKES	Vacuum/Hydraulic with 4-Channel ABS Disc/Drum
Front/Rear	
TRANSMISSION	6L90 6-speed auto. with double overdrive and lock-up converter
ENGINE	GMPT L96 (Gen IV) V8 Vortec 6000 (Optional: KL8 - Alternative Fuel Capable Engine)
Displacement	6.0L (365 in. ³)
Engine Power	297hp @ 4,300 rpm
Engine Torque	372 lb.-ft. @ 4,000 rpm
LIMITED SLIP DIFFERENTIAL	Optional
ALTERNATOR	145-amp
BATTERIES	1 Maintenance-Free 750-CCA
TIRES LRR (Low Rolling Resistance)	215/85R16E (10-pr) Standard
STEERING	Integral Hydraulic Power
STEERING COLUMN	Tilt and Telescopic
FUEL TANK	30 Gal. in-frame
Standard	



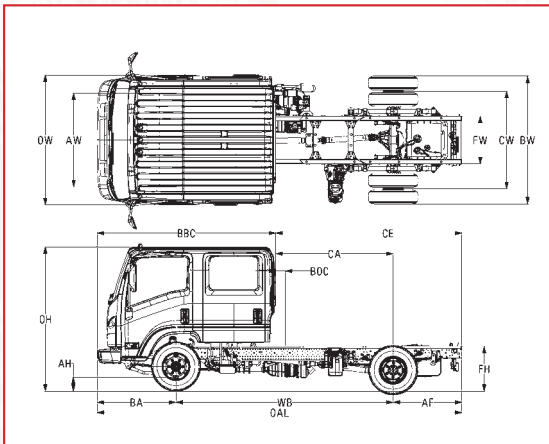
Wheelbase (in.)	Cab to Axle (in.)	Cab to End of Frame (in.)	Back of Cab (in.)	Overall Length (in.)	Body Length (ft.)	Overall Width (in.)	Axle Width (in.)	Overall Height (in.)
109.0	86.5	129.6	6.5	200.5	10-12	81.3	65.6	90.0
132.5	110.0	153.1	6.5	224.0	14	81.3	65.6	90.0
150.0	127.5	170.6	6.5	241.5	16-18	81.3	65.6	90.0
176.0	153.5	196.6	6.5	267.5	18-20	81.3	65.6	90.0

2016 ISUZU N-SERIES GAS WARRANTY COVERAGE AT A GLANCE

Vehicle Coverage	Warranty Limitations (Time or Mileage, Whichever Comes First)*		Percentage Of Dealer's Normal Charge Paid By Owner	
	Time in years*	Vehicle miles*	Parts	Labor
Basic (See "What's covered")	0-3 Years	0-36,000	No Charge	No Charge
Engine	0-5 Years	0-75,000	No Charge	No Charge
• Transmission	0-5 Years	0-75,000	No Charge	No Charge
• Drive Axle				
• Driveshaft				
• Front Axle I-Beam				
• Crossmembers				
Frame Rails	0-3 Years	0-36,000	No Charge	No Charge
	3-5 Years	Unlimited	50%	50%
Federal Emissions	0-5 Years	0-50,000	No Charge	No Charge
Engine Emissions Control System (NPR model) California	0-3 Years	0-50,000	No Charge	No Charge
Engine Emissions Control System (NPR model) California	0-7 Years	0-70,000	No Charge	No Charge
Tires	0-2 Years	0-24,000	No Charge	No Charge
Corrosion (Rust Through)	0-4 Years	Unlimited	No Charge	No Charge

* The warranty coverages are determined by the mileage of the vehicle and the number of years from the delivery date. See your authorized Isuzu dealer for warranty details.





Wheelbase (in.)	Cab to Axle (in.)	Cab to End of Frame (in.)	Back of Cab (in.)	Overall Length (in.)	Body Length (ft.)	Overall Width (in.)	Axle Width (in.)	Overall Height (in.)
150.0	88.5	131.6	5.0	241.5	12	81.3	65.6	90.0
176.0	114.5	157.6	5.0	267.5	16	81.3	65.6	90.0

2016 ISUZU N-SERIES GAS WARRANTY COVERAGE AT A GLANCE

Vehicle Coverage	Warranty Limitations (Time or Mileage, Whichever Comes First)*		Percentage Of Dealer's Normal Charge Paid By Owner	
	Time in years*	Vehicle miles*	Parts	Labor
Basic (See "What's covered")	0-3 Years	0-36,000	No Charge	No Charge
Engine	0-5 Years	0-75,000	No Charge	No Charge
• Transmission	0-5 Years	0-75,000	No Charge	No Charge
• Drive Axle				
• Driveshaft				
• Front Axle I-Beam				
• Crossmembers				
Frame Rails	0-3 Years	0-36,000	No Charge	No Charge
	3-5 Years	Unlimited	50%	50%
Federal Emissions	0-5 Years	0-50,000	No Charge	No Charge
Engine Emissions Control System (NPR model) California	0-3 Years	0-50,000	No Charge	No Charge
Engine Emissions Control System (NPR model) California	0-7 Years	0-70,000	No Charge	No Charge
Tires	0-2 Years	0-24,000	No Charge	No Charge
Corrosion (Rust Through)	0-4 Years	Unlimited	No Charge	No Charge

* The warranty coverages are determined by the mileage of the vehicle and the number of years from the delivery date.
See your authorized Isuzu dealer for warranty details.

ISUZU NPR

CREW CAB

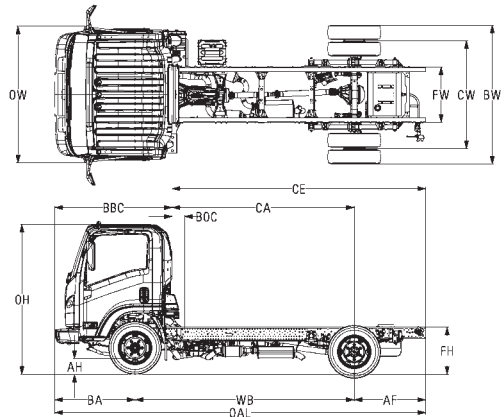
GVWR/GCWR	12,000/18,000 lbs.
BODY/PAYLOAD ALLOWANCE	6,246 - 6,308 lbs.
GAWR	
Front	4,860 lbs.
Rear	8,840 lbs.
FRONT AXLE CAPACITY	6,830 lbs.
REAR AXLE CAPACITY	11,020 lbs.
Ratio	5.125
SUSPENSION F/R SPRINGS	Tapered/Multi-Leaf
Capacity	8,440/12,900 lbs.
FRAME	
Section Modulus	7.20 in. ³
Resistance Bending Moment	316,800 lb.-ft./in.
SERVICE BRAKES	Vacuum/Hydraulic with
Front/Rear	4-Channel ABS Disc/Drum
TRANSMISSION	6L90 6-speed auto. with
	double overdrive and
	lock-up converter
ENGINE	GMPT L96 (Gen IV) V8 Vortec
	6000 (Optional: KL8 - Alternative
	Fuel Capable Engine)
Displacement	6.0L (365 in. ³)
Engine Power	297hp @ 4,300 rpm
Engine Torque	372 lb.-ft. @ 4,000 rpm
LIMITED SLIP DIFFERENTIAL	Optional
ALTERNATOR	145-amp
BATTERIES	1 Maintenance-Free
	750-CCA
TIRES LRR (Low Rolling Resistance)	215/85R16E (10-pr)
	Standard
STEERING	Integral Hydraulic Power
STEERING COLUMN	Tilt and Telescopic
FUEL TANK	
Standard	30 Gal. in-frame



ISUZU NPR HD

STANDARD CAB

GVWR/GCWR	14,500/20,500 lbs.
BODY/PAYLOAD ALLOWANCE	8,977 - 9,174 lbs.
GAWR	
Front	6,630 lbs.
Rear	11,020 lbs.
FRONT AXLE CAPACITY	6,830 lbs.
REAR AXLE CAPACITY	11,020 lbs.
Ratio	5.375
SUSPENSION F/R SPRINGS	Tapered/Multi-Leaf
Capacity	8,440/12,900 lbs.
FRAME	
Section Modulus	7.20 in. ³
Resistance Bending Moment	316,800 lb.-ft./in.
SERVICE BRAKES	Vacuum/Hydraulic with 4-Channel ABS Disc/Drum
Front/Rear	
TRANSMISSION	6L90 6-speed auto. with double overdrive and lock-up converter
ENGINE	GMPT L96 (Gen IV) V8 Vortec 6000 (Optional: KL8 - Alternative Fuel Capable Engine)
Displacement	6.0L (365 in. ³)
Engine Power	297hp @ 4,300 rpm
Engine Torque	372 lb.-ft. @ 4,000 rpm
LIMITED SLIP DIFFERENTIAL	Optional
ALTERNATOR	145-amp
BATTERIES	1 Maintenance-Free 750-CCA
TIRES LRR (Low Rolling Resistance)	225/70R19.5G (14-pr) Standard
STEERING	Integral Hydraulic Power
STEERING COLUMN	Tilt and Telescopic
FUEL TANK	30 Gal. in-frame
Standard	



Wheelbase (in.)	Cab to Axle (in.)	Cab to End of Frame (in.)	Back of Cab (in.)	Overall Length (in.)	Body Length (ft.)	Overall Width (in.)	Axle Width (in.)	Overall Height (in.)
109.0	86.5	129.6	6.5	200.5	10-12	81.3	65.6	90.9
132.5	110.0	153.1	6.5	224.0	14	81.3	65.6	90.9
150.0	127.5	170.6	6.5	241.5	16-18	81.3	65.6	90.9
176.0	153.5	196.6	6.5	267.5	18-20	81.3	65.6	90.9

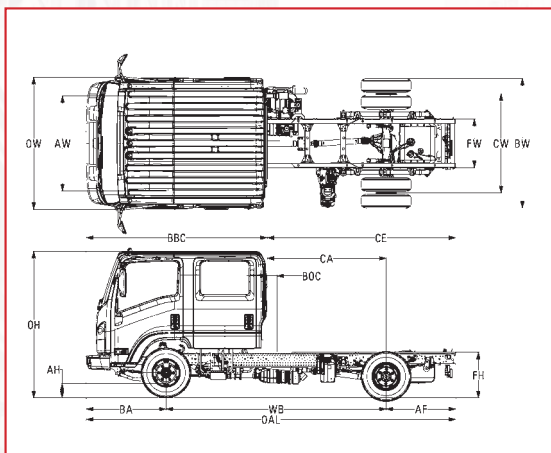
2016 ISUZU N-SERIES GAS WARRANTY COVERAGE AT A GLANCE

Vehicle Coverage	Warranty Limitations (Time or Mileage, Whichever Comes First)*		Percentage Of Dealer's Normal Charge Paid By Owner	
	Time in years*	Vehicle miles*	Parts	Labor
Basic (See "What's covered")	0-3 Years	0-36,000	No Charge	No Charge
Engine	0-5 Years	0-75,000	No Charge	No Charge
• Transmission • Drive Axle • Driveshaft • Front Axle I-Beam • Crossmembers	0-5 Years	0-75,000	No Charge	No Charge
Frame Rails	0-3 Years	0-36,000	No Charge	No Charge
	3-5 Years	Unlimited	50%	50%
Federal Emissions	0-5 Years	0-50,000	No Charge	No Charge
Tires	0-2 Years	0-24,000	No Charge	No Charge
Corrosion (Rust Through)	0-4 Years	Unlimited	No Charge	No Charge

* The warranty coverages are determined by the mileage of the vehicle and the number of years from the delivery date.
See your authorized Isuzu dealer for warranty details.



ISUZU NPR_{HD}



Wheelbase (in.)	Cab to Axle (in.)	Cab to End of Frame (in.)	Back of Cab (in.)	Overall Length (in.)	Body Length (ft.)	Overall Width (in.)	Axle Width (in.)	Overall Height (in.)
150.0	88.5	131.6	5.0	241.5	12	81.3	65.6	91.1
176.0	114.5	157.6	5.0	267.5	16	81.3	65.6	91.1

2016 ISUZU N-SERIES GAS WARRANTY COVERAGE AT A GLANCE

Vehicle Coverage	Warranty Limitations (Time or Mileage, Whichever Comes First)*		Percentage Of Dealer's Normal Charge Paid By Owner	
	Time in years*	Vehicle miles*	Parts	Labor
Basic (See "What's covered")	0-3 Years	0-36,000	No Charge	No Charge
Engine	0-5 Years	0-75,000	No Charge	No Charge
• Transmission • Drive Axle • Driveshaft • Front Axle I-Beam • Crossmembers	0-5 Years	0-75,000	No Charge	No Charge
Frame Rails	0-3 Years 3-5 Years	0-36,000 Unlimited	No Charge 50%	No Charge 50%
Federal Emissions	0-5 Years	0-50,000	No Charge	No Charge
Tires	0-2 Years	0-24,000	No Charge	No Charge
Corrosion (Rust Through)	0-4 Years	Unlimited	No Charge	No Charge

* The warranty coverages are determined by the mileage of the vehicle and the number of years from the delivery date.
See your authorized Isuzu dealer for warranty details.

CREW CAB

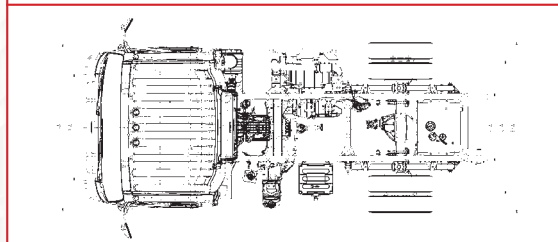
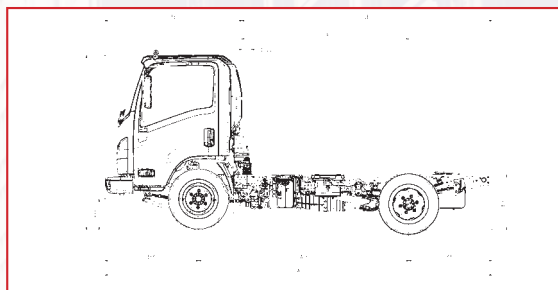
GVWR/GCWR	14,500/20,500 lbs.
BODY/PAYLOAD ALLOWANCE	8,442 - 8,503 lbs.
GAWR	
Front	6,630 lbs.
Rear	11,020 lbs.
FRONT AXLE CAPACITY	6,830 lbs.
REAR AXLE CAPACITY	11,020 lbs.
Ratio	5.375
SUSPENSION F/R SPRINGS	Tapered/Multi-Leaf
Capacity	8,440/12,900 lbs.
FRAME	
Section Modulus	7.20 in. ³
Resistance Bending Moment	316,800 lb.-ft./in.
SERVICE BRAKES	Vacuum/Hydraulic with 4-Channel ABS Disc/Drum
Front/Rear	
TRANSMISSION	6L90 6-speed auto. with double overdrive and lock-up converter
ENGINE	GMPT L96 (Gen IV) V8 Vortec 6000 (Optional: KL8 - Alternative Fuel Capable Engine)
Displacement	6.0L (365 in. ³)
Engine Power	297hp @ 4,300 rpm
Engine Torque	372 lb.-ft. @ 4,000 rpm
LIMITED SLIP DIFFERENTIAL	Optional
ALTERNATOR	145-amp
BATTERIES	1 Maintenance-Free 750-CCA
TIRES LRR (Low Rolling Resistance)	225/70R19.5G (14-pr) Standard
STEERING	Integral Hydraulic Power
STEERING COLUMN	Tilt and Telescopic
FUEL TANK	30 Gal. in-frame
Standard	



ISUZU NPR

STANDARD CAB

GVWR/GCWR	13,000/19,000 lbs.
BODY/PAYLOAD ALLOWANCE	7,435 - 7,607 lbs.
GAWR	
Front	5,360 lbs.
Rear	9,880 lbs.
FRONT AXLE CAPACITY	6,830 lbs.
REAR AXLE CAPACITY	11,020 lbs.
Ratio	5.125
SUSPENSION F/R SPRINGS	Tapered/Multi-Leaf
Capacity	6,830/9,880 lbs.
FRAME	
Section Modulus	7.20 in. ³
Resistance Bending Moment	316,800 lb.-ft./in.
SERVICE BRAKES	Vacuum/Hydraulic with 4-Channel ABS Disc/Drum
Front/Rear	
EXHAUST BRAKE	Standard
TRANSMISSION	Aisin A460 6-speed auto. with double overdrive and lock-up 2 nd -6 th gears
ENGINE	Isuzu 4J11-TC turbocharged intercooled diesel
Displacement	3.0L (183 in. ³)
Engine Power	150hp @ 2,800 rpm
Engine Torque	282 lb.-ft. @ 1,600-2,800 rpm
Oil Level Indicator	Dash-mounted oil level check switch and light
LIMITED SLIP DIFFERENTIAL	Optional
ALTERNATOR	140-amp
BATTERIES	2 Maintenance-Free 750-CCA
TIRES LRR (Low Rolling Resistance)	215/85R16E (10-pr) Standard
STEERING	Integral Hydraulic Power
STEERING COLUMN	Tilt and Telescopic
FUEL TANK	
Standard	30 Gal. in-rail
FUEL/WATER SEPARATOR	Dual fuel filter with dash mounted indicator light



Wheelbase (in.)	Cab to Axle (in.)	Cab to End of Frame (in.)	Back of Cab (in.)	Overall Length (in.)	Body Length (ft.)	Overall Width (in.)	Axle Width (in.)	Overall Height (in.)
109.0	86.5	129.6	6.1	200.5	10-12	81.3	65.6	90.8
132.5	110.0	153.1	6.1	224.0	14	81.3	65.6	90.8
150.0	127.5	170.6	6.1	241.5	16-18	81.3	65.6	90.8
176.0	153.5	196.6	6.1	267.5	18-20	81.3	65.6	90.8

2016 ISUZU N-SERIES DIESEL WARRANTY COVERAGE AT A GLANCE

Vehicle Coverage	Warranty Limitations (Time or Mileage, Whichever Comes First)*		Percentage Of Dealer's Normal Charge Paid By Owner	
	Time in years*	Vehicle miles*	Parts	Labor
Basic	0-3 Years	Unlimited	No Charge	No Charge
Engine	0-3 Years	Unlimited	No Charge	No Charge
• Transmission	0-3 Years	Unlimited	No Charge	No Charge
• Drive Axle				
• Driveshaft				
• Front Axle I-Beam				
• Crossmembers				
• Flywheel Housing	0-3 Years	Unlimited	No Charge	No Charge
• Clutch Housing				
Frame Rails	0-3 Years	Unlimited	No Charge	No Charge
	3-5 Years	Unlimited	50%	50%
Engine Emissions Control System - Federal	0-5 Years	0-100,000	No Charge	No Charge
Tires	0-2 Years	0-24,000	No Charge	No Charge
Corrosion (Rust Through)	0-4 Years	Unlimited	No Charge	No Charge

* The warranty coverages are determined by the mileage of the vehicle and the number of years from the delivery date. See your authorized Isuzu dealer for warranty details.



ISUZU

NPR

13,000 lbs.
CLASS LEADING
PAYLOAD



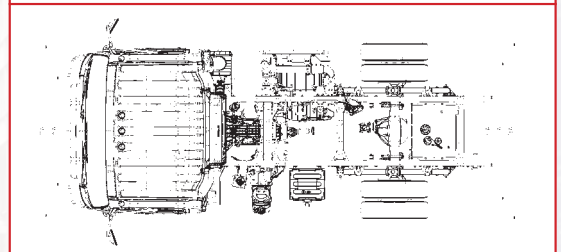
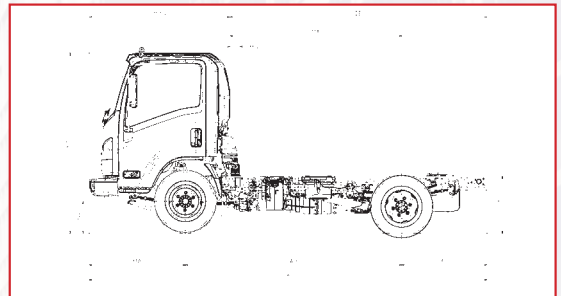
Priced lower than a Class 4 truck

- Class leading payload 7,435 - 7,607 lbs.
- Accepts body lengths up to 20 feet
- Tighter turning radius with a 49.5 degree wheel cut angle
- Outstanding driver visibility and maneuverability
- 30 gallon rear mounted in-rail fuel tank
- 33.5" industry standard frame accepts bodies up to 102" wide and up to 91" body height
- Four wheelbases: 109", 132.5", 150", 176"
- 3.0L 150HP diesel with class-leading fuel economy, a B-10 diesel engine life of 310,000 miles and B20 biodiesel capable
- Aisin A460 6-speed automatic transmission with double overdrive and PTO capable

ISUZU NPR HD

STANDARD CAB

GVWR/GCWR	14,500/20,500 lbs.
BODY/PAYLOAD ALLOWANCE	8,339-8,536 lbs.
GAWR	
Front	5,360 lbs.
Rear	9,880 lbs.
FRONT AXLE CAPACITY	6,830 lbs.
REAR AXLE CAPACITY	11,020 lbs.
Ratio	4.555
SUSPENSION F/R SPRINGS	Tapered/Multi-Leaf
Capacity	6,830/9,880 lbs.
FRAME	
Section Modulus	7.20 in. ³
Resistance Bending Moment	316,800 lb.-ft./in.
SERVICE BRAKES	Vacuum/Hydraulic with 4-Channel ABS Disc/Drum
Front/Rear	
EXHAUST BRAKE	Standard
TRANSMISSION	Aisin A465 6-speed auto. with double overdrive and lock-up 2 nd -6 th gears
ENGINE	Isuzu 4HK1-TC turbocharged intercooled diesel
Displacement	5.2L (317 in. ³)
Engine Power	215hp @ 2,500 rpm
Engine Torque	452 lb.-ft. @ 1,850 rpm
Oil Level Indicator	Dash-mounted oil level check switch and light
LIMITED SLIP DIFFERENTIAL	Optional
ALTERNATOR	140-amp
BATTERIES	2 Maintenance-Free 750-CCA
TIRES LRR (Low Rolling Resistance)	215/85R16E (10-pr) Standard
STEERING	Integral Hydraulic Power
STEERING COLUMN	Tilt and Telescopic
FUEL TANK	
Standard	30 Gal. in-rail
Optional	33 Gal. side mount (176" WB Only)
FUEL/WATER SEPARATOR	Dual fuel filter with dash mounted indicator light



Wheelbase (in.)	Cab to Axle (in.)	Cab to End of Frame (in.)	Back of Cab (in.)	Overall Length (in.)	Body Length (ft.)	Overall Width (in.)	Axle Width (in.)	Overall Height (in.)
109.0	86.5	129.6	7.7	200.5	10-12	81.3	65.6	90.8
132.5	110.0	153.1	7.7	224.0	14	81.3	65.6	90.8
150.0	127.5	170.6	10.2	241.5	16-18	81.3	65.6	90.8
176.0	153.5	196.6	10.2	267.5	18-20	81.3	65.6	90.8

2017 ISUZU N-SERIES DIESEL WARRANTY COVERAGE AT A GLANCE

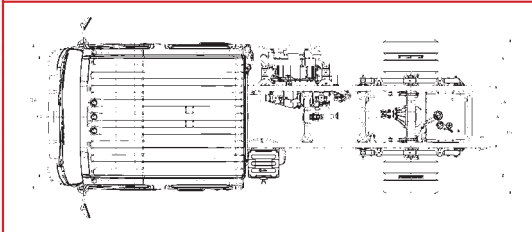
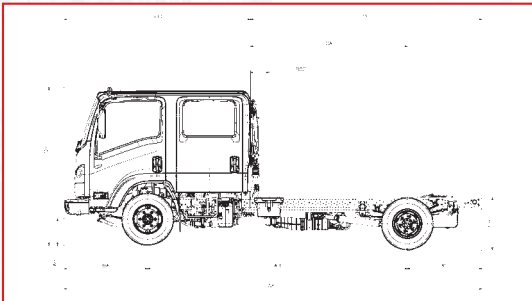
Vehicle Coverage	Warranty Limitations (Time or Mileage, Whichever Comes First)*		Percentage Of Dealer's Normal Charge Paid By Owner	
	Time in years*	Vehicle miles*	Parts	Labor
	Basic	0-3 Years	Unlimited	No Charge
Engine	0-3 Years	Unlimited	No Charge	No Charge
• Transmission • Drive Axle • Driveshaft • Front Axle I-Beam • Crossmembers • Flywheel Housing • Clutch Housing	0-3 Years	Unlimited	No Charge	No Charge
Frame Rails	0-3 Years	Unlimited	No Charge	No Charge
Engine Emissions Control System - Federal	3-5 Years	Unlimited	50%	50%
	0-5 Years	0-100,000	No Charge	No Charge
Tires	0-2 Years	0-24,000	No Charge	No Charge
Corrosion (Rust Through)	0-4 Years	Unlimited	No Charge	No Charge

* The warranty coverages are determined by the mileage of the vehicle and the number of years from the delivery date. See your authorized Isuzu dealer for warranty details.



CREW CAB

GVWR/GCWR	14,500/20,500 lbs.
BODY/PAYLOAD ALLOWANCE	7,766-7,832 lbs.
GAWR	
<i>Front</i>	5,360 lbs.
<i>Rear</i>	9,880 lbs.
FRONT AXLE CAPACITY	6,830 lbs.
REAR AXLE CAPACITY	11,020 lbs.
<i>Ratio</i>	4.555
SUSPENSION F/R SPRINGS	Tapered/Multi-Leaf
<i>Capacity</i>	6,830/9,880 lbs.
FRAME	
<i>Section Modulus</i>	11.89 in. ³
<i>Resistance Bending Moment</i>	523,160 lb.-ft./in.
SERVICE BRAKES	Vacuum/Hydraulic with
<i>Front/Rear</i>	4-Channel ABS Disc/Drum
EXHAUST BRAKE	Standard
TRANSMISSION	Aisin A465 6-speed auto.
	with double overdrive
	and lock-up 2 nd -6 th gears
ENGINE	Isuzu 4HK1-TC turbocharged
	intercooled diesel
<i>Displacement</i>	5.2L (317 in. ³)
<i>Engine Power</i>	215hp @ 2,500 rpm
<i>Engine Torque</i>	452 lb.-ft. @ 1,850 rpm
<i>Oil Level Indicator</i>	Dash-mounted oil level
	check switch and light
LIMITED SLIP DIFFERENTIAL	Optional
ALTERNATOR	140-amp
BATTERIES	2 Maintenance-Free
	750-CCA
TIRES LRR (Low Rolling Resistance)	215/85R16E (10-pr) Standard
STEERING	Integral Hydraulic Power
STEERING COLUMN	Tilt and Telescopic
FUEL TANK	
<i>Standard</i>	30 Gal. in-rail
FUEL/WATER SEPARATOR	Dual fuel filter with dash
	mounted indicator light



Wheelbase (in.)	Cab to Axle (in.)	Cab to End of Frame (in.)	Back of Cab (in.)	Overall Length (in.)	Body Length (ft.)	Overall Width (in.)	Axle Width (in.)	Overall Height (in.)
150.0	88.5	131.6	5.3	241.5	12	81.3	65.6	90.8
176.0	114.5	157.6	5.3	267.5	16	81.3	65.6	90.8

2017 ISUZU N-SERIES DIESEL WARRANTY COVERAGE AT A GLANCE

Vehicle Coverage	Warranty Limitations (Time or Mileage, Whichever Comes First)*		Percentage Of Dealer's Normal Charge Paid By Owner	
	Time in years*	Vehicle miles*	Parts	Labor
Basic	0-3 Years	Unlimited	No Charge	No Charge
Engine	0-3 Years	Unlimited	No Charge	No Charge
• Transmission	0-3 Years	Unlimited	No Charge	No Charge
• Drive Axle				
• Driveshaft				
• Front Axle I-Beam				
• Crossmembers				
• Flywheel Housing	0-2 Years	0-24,000	No Charge	No Charge
• Clutch Housing				
Frame Rails	0-3 Years	Unlimited	No Charge	No Charge
Engine Emissions Control System - Federal	3-5 Years	Unlimited	50%	50%
Tires - Federal	0-5 Years	0-100,000	No Charge	No Charge
Corrosion (Rust Through)	0-2 Years	0-24,000	No Charge	No Charge
	0-4 Years	Unlimited	No Charge	No Charge

* The warranty coverages are determined by the mileage of the vehicle and the number of years from the delivery date.

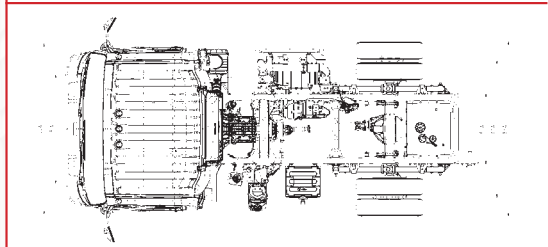
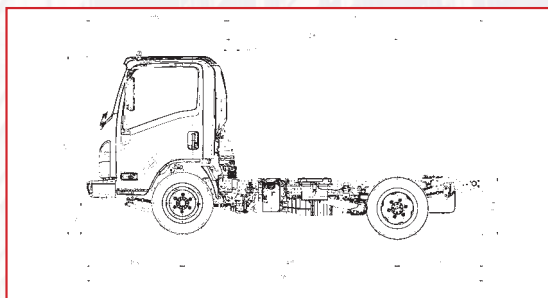
See your authorized Isuzu dealer for warranty details.



ISUZU NPRxD

STANDARD CAB

GVWR/GCWR	16,000/22,000 lbs.
BODY/PAYLOAD ALLOWANCE	9,410-9,607 lbs.
GAWR	
Front	6,630 lbs.
Rear	11,020 lbs.
FRONT AXLE CAPACITY	6,830 lbs.
REAR AXLE CAPACITY	11,020 lbs.
Ratio	4.777
SUSPENSION F/R SPRINGS	Tapered/Multi-Leaf
Capacity	8,440/14,308 lbs.
FRAME	
Section Modulus	7.20 in. ³
Resistance Bending Moment	316,800 lb.-ft./in.
SERVICE BRAKES	Vacuum/Hydraulic with 4-Channel ABS Disc/Drum
Front/Rear	
EXHAUST BRAKE	Standard
TRANSMISSION	Aisin A465 6-speed auto. with double overdrive and lock-up 2 nd -6 th gears
ENGINE	Isuzu 4HK1-TC turbocharged intercooled diesel
Displacement	5.2L (317 in. ³)
Engine Power	215hp @ 2,500 rpm
Engine Torque	452 lb.-ft. @ 1,850 rpm
Oil Level Indicator	Dash-mounted oil level check switch and light
LIMITED SLIP DIFFERENTIAL	Optional
ALTERNATOR	140-amp
BATTERIES	2 Maintenance-Free 750-CCA
TIRES LRR (Low Rolling Resistance)	225/70R19.5F (12-pr) Standard
STEERING	Integral Hydraulic Power
STEERING COLUMN	Tilt and Telescopic
FUEL TANK	
Standard	30 Gal. in-rail
Optional	33 Gal. side mount (176" WB Only)
FUEL/WATER SEPARATOR	Dual fuel filter with dash mounted indicator light

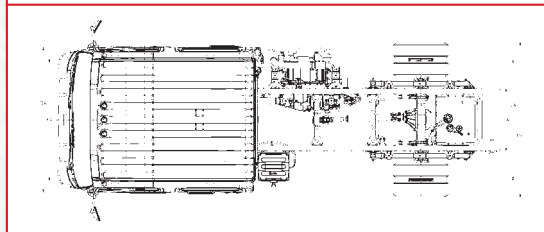
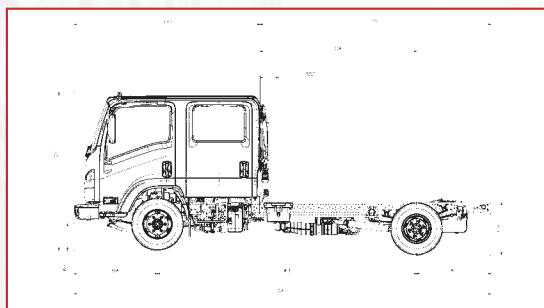


Wheelbase (in.)	Cab to Axle (in.)	Cab to End of Frame (in.)	Back of Cab (in.)	Overall Length (in.)	Body Length (ft.)	Overall Width (in.)	Axle Width (in.)	Overall Height (in.)
109.0	86.5	129.6	7.7	200.5	10-12	81.3	65.6	92.4
132.5	110.0	153.1	7.7	224.0	14	81.3	65.6	92.4
150.0	127.5	170.6	7.7	241.5	16-18	81.3	65.6	92.4
176.0	153.5	196.6	7.7	267.5	18-20	81.3	65.6	92.4

2017 ISUZU N-SERIES DIESEL WARRANTY COVERAGE AT A GLANCE

Vehicle Coverage	Warranty Limitations (Time or Mileage, Whichever Comes First)*		Percentage Of Dealer's Normal Charge Paid By Owner	
	Time in years*	Vehicle miles*	Parts	Labor
Basic	0-3 Years	Unlimited	No Charge	No Charge
Engine	0-3 Years	Unlimited	No Charge	No Charge
• Transmission				
• Drive Axle				
• Driveshaft				
• Front Axle I-Beam	0-3 Years	Unlimited	No Charge	No Charge
• Crossmembers				
• Flywheel Housing				
• Clutch Housing				
Frame Rails	0-3 Years	Unlimited	No Charge	No Charge
	3-5 Years	Unlimited	50%	50%
Engine Emissions Control System - Federal	0-5 Years	0-100,000	No Charge	No Charge
Tires	0-2 Years	0-24,000	No Charge	No Charge
Corrosion (Rust-Through)	0-4 Years	Unlimited	No Charge	No Charge

* The warranty coverages are determined by the mileage of the vehicle and the number of years from the delivery date. See your authorized Isuzu dealer for warranty details.



Wheelbase (in.)	Cab to Axle (in.)	Cab to End of Frame (in.)	Back of Cab (in.)	Overall Length (in.)	Body Length (ft.)	Overall Width (in.)	Axle Width (in.)	Overall Height (in.)
150.0	88.5	131.6	5.3	241.5	12	81.3	65.6	92.4
176.0	114.5	157.6	5.3	267.5	16	81.3	65.6	92.4

2017 ISUZU N-SERIES DIESEL WARRANTY COVERAGE AT A GLANCE

Vehicle Coverage	Warranty Limitations (Time or Mileage, Whichever Comes First)*		Percentage Of Dealer's Normal Charge Paid By Owner	
	Time in years*	Vehicle miles*	Parts	Labor
Basic	0-3 Years	Unlimited	No Charge	No Charge
Engine	0-3 Years	Unlimited	No Charge	No Charge
• Transmission	0-3 Years	Unlimited	No Charge	No Charge
• Drive Axle				
• Driveshaft				
• Front Axle I-Beam				
• Crossmembers				
• Flywheel Housing	0-3 Years	Unlimited	No Charge	No Charge
• Clutch Housing				
Frame Rails	0-3 Years	Unlimited	No Charge	No Charge
Engine Emissions Control System - Federal	3-5 Years	Unlimited	50%	50%
	0-5 Years	0-100,000	No Charge	No Charge
Tires	0-2 Years	0-24,000	No Charge	No Charge
Corrosion (Rust Through)	0-4 Years	Unlimited	No Charge	No Charge

* The warranty coverages are determined by the mileage of the vehicle and the number of years from the delivery date. See your authorized Isuzu dealer for warranty details.

ISUZU NPR XD

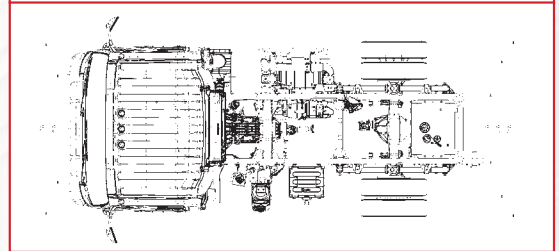
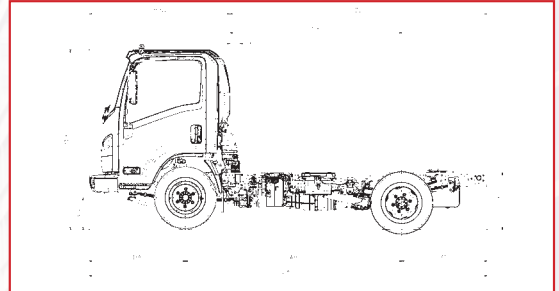
CREW CAB

GVWR/GCWR	16,000/22,000 lbs.
BODY/PAYLOAD ALLOWANCE	8,840-8,905 lbs.
GAWR	
Front	6,630 lbs.
Rear	11,020 lbs.
FRONT AXLE CAPACITY	6,830 lbs.
REAR AXLE CAPACITY	11,020 lbs.
Ratio	4.777
SUSPENSION F/R SPRINGS	Tapered/Multi-Leaf
Capacity	8,440/14,308 lbs.
FRAME	
Section Modulus	11.89 in. ³
Resistance Bending Moment	523,160 lb.-ft./in.
SERVICE BRAKES	Vacuum/Hydraulic with 4-Channel ABS Disc/Drum
Front/Rear	
EXHAUST BRAKE	Standard
TRANSMISSION	Aisin A465 6-speed auto. with double overdrive and lock-up 2 nd -6 th gears
ENGINE	Isuzu 4HK1-TC turbocharged intercooled diesel
Displacement	5.2L (317 in. ³)
Engine Power	215hp @ 2,500 rpm
Engine Torque	452 lb.-ft. @ 1,850 rpm
Oil Level Indicator	Dash-mounted oil level check switch and light
LIMITED SLIP DIFFERENTIAL	Optional
ALTERNATOR	140-amp
BATTERIES	2 Maintenance-Free 750-CCA
TIRES LRR (Low Rolling Resistance)	225/70R19.5F (12-pr) Standard
STEERING	Integral Hydraulic Power
STEERING COLUMN	Tilt and Telescopic
FUEL TANK	
Standard	30 Gal. in-rail
FUEL/WATER SEPARATOR	Dual fuel filter with dash mounted indicator light



STANDARD CAB

GVWR/GCWR	17,950/23,950 lbs.
BODY/PAYLOAD ALLOWANCE	10,939-11,461 lbs.
GAWR	
Front	6,830 lbs.
Rear	12,980 lbs.
FRONT AXLE CAPACITY	6,830 lbs.
REAR AXLE CAPACITY	14,550 lbs.
Ratio	5.125
SUSPENSION F/R SPRINGS	Tapered/Multi-Leaf
Capacity	8,440/14,550 lbs.
FRAME	
Section Modulus	7.20 in. ³
Resistance Bending Moment	316,800 lb.-ft./in.
SERVICE BRAKES	Hydraulic Boosted with 4-Channel ABS Disc/Drum
Front/Rear	
EXHAUST BRAKE	Standard
TRANSMISSION	Aisin A465 6-speed auto. with double overdrive and lock-up 2 nd -6 th gears
ENGINE	Isuzu 4HK1-TC turbocharged intercooled diesel
Displacement	5.2L (317 in. ³)
Engine Power	215hp @ 2,500 rpm
Engine Torque	452 lb.-ft. @ 1,850 rpm
Oil Level Indicator	Dash-mounted oil level check switch and light
LIMITED SLIP DIFFERENTIAL	Optional
ALTERNATOR	140-amp
BATTERIES	2 Maintenance-Free 750-CCA
TIRES LRR (Low Rolling Resistance)	225/70R19.5F (12-pr) Standard
STEERING	Integral Hydraulic Power
STEERING COLUMN	Tilt and Telescopic
FUEL TANK	
Standard	30 Gal. in-rail
Optional	33 Gal. side mount (176" WB Only)
FUEL/WATER SEPARATOR	Dual fuel filter with dash mounted indicator light

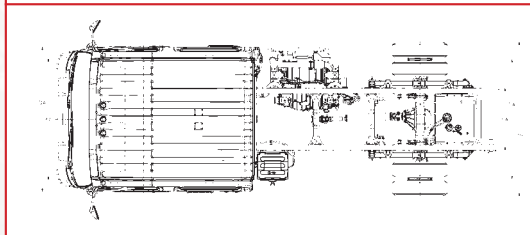
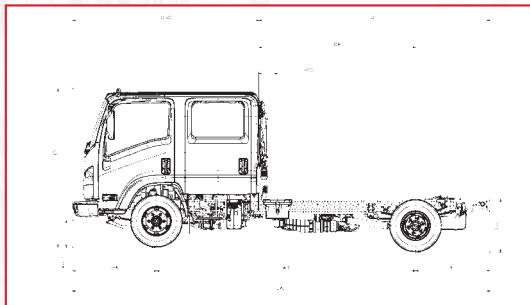


Wheelbase (in.)	Cab to Axle (in.)	Cab to End of Frame (in.)	Back of Cab (in.)	Overall Length (in.)	Body Length (ft.)	Overall Width (in.)	Axle Width (in.)	Overall Height (in.)
109.0	86.5	129.6	7.7	220.5	10-12	81.3	65.6	92.4
132.5	110.0	153.1	7.7	224.0	14	81.3	65.6	92.4
150.0	127.5	170.6	7.7	241.5	16-18	81.3	65.6	92.4
176.0	153.5	196.6	7.7	267.5	18-20	81.3	65.6	92.4
200.0	177.5	220.6	7.7	291.5	22	81.3	65.6	92.4

2017 ISUZU N-SERIES DIESEL WARRANTY COVERAGE AT A GLANCE

Vehicle Coverage	Warranty Limitations (Time or Mileage, Whichever Comes First)*		Percentage Of Dealer's Normal Charge Paid By Owner	
	Time in years*	Vehicle miles*	Parts	Labor
Basic	0-3 Years	Unlimited	No Charge	No Charge
Engine	0-3 Years	Unlimited	No Charge	No Charge
• Transmission	0-3 Years	Unlimited	No Charge	No Charge
• Drive Axle				
• Driveshaft				
• Front Axle I-Beam				
• Crossmembers				
• Flywheel Housing	0-3 Years	Unlimited	No Charge	No Charge
• Clutch Housing				
Frame Rails	0-3 Years	Unlimited	No Charge	No Charge
Engine Emissions Control System - Federal	3-5 Years	Unlimited	50%	50%
	0-5 Years	0-100,000	No Charge	No Charge
Tires	0-2 Years	0-24,000	No Charge	No Charge
Corrosion (Rust Through)	0-4 Years	Unlimited	No Charge	No Charge

*The warranty coverages are determined by the mileage of the vehicle and the number of years from the delivery date. See your authorized Isuzu dealer for warranty details.



Wheelbase (in.)	Cab to Axle (in.)	Cab to End of Frame (in.)	Back of Cab (in.)	Overall Length (in.)	Body Length (ft.)	Overall Width (in.)	Axle Width (in.)	Overall Height (in.)
1500	88.5	131.6	5.3	241.5	12	81.3	65.6	92.4
1760	114.5	157.6	5.3	267.5	16	81.3	65.6	92.4

2017 ISUZU N-SERIES DIESEL WARRANTY COVERAGE AT A GLANCE

Vehicle Coverage	Warranty Limitations (Time or Mileage, Whichever Comes First)*		Percentage Of Dealer's Normal Charge Paid By Owner	
	Time in years*	Vehicle miles*	Parts	Labor
Basic	0-3 Years	Unlimited	No Charge	No Charge
Engine	0-3 Years	Unlimited	No Charge	No Charge
• Transmission				
• Drive Axle				
• Driveshaft				
• Front Axle I-Beam	0-3 Years	Unlimited	No Charge	No Charge
• Crossmembers				
• Flywheel Housing				
• Clutch Housing				
Frame Rails	0-3 Years	Unlimited	No Charge	No Charge
	3-5 Years	Unlimited	50%	50%
Engine Emissions Control System - Federal	0-5 Years	0-100,000	No Charge	No Charge
Tires	0-2 Years	0-24,000	No Charge	No Charge
Corrosion (Rust Through)	0-4 Years	Unlimited	No Charge	No Charge

* The warranty coverages are determined by the mileage of the vehicle and the number of years from the delivery date.
See your authorized Isuzu dealer for warranty details.

ISUZU

NQR

CREW CAB

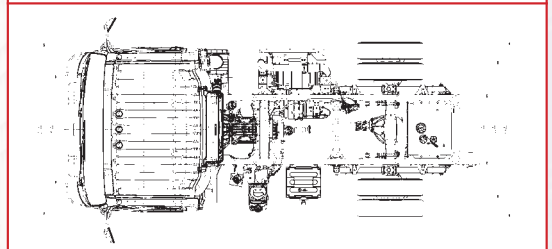
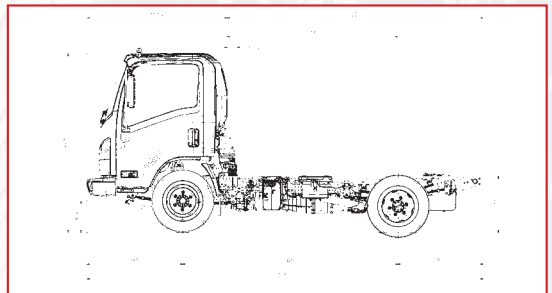
GVWR/GCWR	17,950/23,950 lbs.
BODY/PAYLOAD ALLOWANCE	10,680-10,748 lbs.
GAWR	
Front	6,830 lbs.
Rear	12,980 lbs.
FRONT AXLE CAPACITY	6,830 lbs.
REAR AXLE CAPACITY	14,550 lbs.
Ratio	5:12.5
SUSPENSION F/R SPRINGS	Tapered/Multi-Leaf
Capacity	8,440/14,550 lbs.
FRAME	
Section Modulus	11.89 in. ³
Resistance Bending Moment	523,160 lb.-ft./in.
SERVICE BRAKES	Hydraulic Boosted with 4-Channel ABS Disc/Drum
Front/Rear	
EXHAUST BRAKE	Standard
TRANSMISSION	Aisin A465 6-speed auto. with double overdrive and lock-up 2 nd -6 th gears
ENGINE	Isuzu 4HK1-TC turbocharged intercooled diesel
Displacement	5.2L (317 in. ³)
Engine Power	215hp @ 2,500 rpm
Engine Torque	452 lb.-ft. @ 1,850 rpm
Oil Level Indicator	Dash-mounted oil level check switch and light
LIMITED SLIP DIFFERENTIAL	Optional
ALTERNATOR	140-amp
BATTERIES	2 Maintenance-Free 750-CCA
TIRES LRR (Low Rolling Resistance)	225/70R19.5F (12-pr) Standard
STEERING	Integral Hydraulic Power
STEERING COLUMN	Tilt and Telescopic
FUEL TANK	30 Gal. in-rail
Standard	
FUEL/WATER SEPARATOR	Dual fuel filter with dash mounted indicator light



ISUZU NRR

STANDARD CAB

GVWR/GCWR	19,500/25,500 lbs.
BODY/PAYLOAD ALLOWANCE	12,294-12,875 lbs.
GAWR	
Front	7,275 lbs.
Rear	13,660 lbs.
FRONT AXLE CAPACITY	7,275 lbs.
REAR AXLE CAPACITY	14,550 lbs.
Ratio	5.571
SUSPENSION F/R SPRINGS	Tapered/Multi-Leaf
Capacity	8,440/14,550 lbs.
FRAME	
Section Modulus	7.20 in. ³
Resistance Bending Moment	316,800 lb.-ft./in.
SERVICE BRAKES	Hydraulic Boosted with 4-Channel ABS Disc/Drum
Front/Rear	
EXHAUST BRAKE	Standard
TRANSMISSION	Aisin A465 6-speed auto. with double overdrive and lock-up 2 nd -6 th gears
ENGINE	Isuzu 4HK1-TC turbocharged intercooled diesel
Displacement	5.2L (317 in. ³)
Engine Power	215hp @ 2,500 rpm
Engine Torque	452 lb.-ft. @ 1,850 rpm
Oil Level Indicator	Dash-mounted oil level check switch and light
LIMITED SLIP DIFFERENTIAL	Optional
ALTERNATOR	140-amp
BATTERIES	2 Maintenance-Free 750-CCA
TIRES LRR (Low Rolling Resistance)	225/70R19.5F (12-pr) Standard
STEERING	Integral Hydraulic Power
STEERING COLUMN	Tilt and Telescopic
FUEL TANK	
Standard	30 Gal. in-rail
Optional	33 Gal. side mount (176" WB Only)
FUEL/WATER SEPARATOR	Dual fuel filter with dash mounted indicator light



Wheelbase (in.)	Cab to Axle (in.)	Cab to End of Frame (in.)	Back of Cab (in.)	Overall Length (in.)	Body Length (ft.)	Overall Width (in.)	Axle Width (in.)	Overall Height (in.)
109.0	86.5	129.6	7.7	200.5	10-12	81.3	65.6	92.4
132.5	110.0	153.1	7.7	224.0	14	81.3	65.6	92.4
150.0	127.5	170.6	7.7	241.5	16-18	81.3	65.6	92.4
176.0	153.5	196.6	7.7	267.5	18-20	81.3	65.6	92.4
200.0	177.5	220.6	7.7	291.5	22	81.3	65.6	92.4
212.0	189.5	232.6	7.7	303.5	24	81.3	65.6	92.4

2017 ISUZU N-SERIES DIESEL WARRANTY COVERAGE AT A GLANCE

Vehicle Coverage	Warranty Limitations (Time or Mileage, Whichever Comes First)*		Percentage Of Dealer's Normal Charge Paid By Owner	
	Time in years*	Vehicle miles*	Parts	Labor
Basic	0-3 Years	Unlimited	No Charge	No Charge
Engine	0-3 Years	Unlimited	No Charge	No Charge
• Transmission	0-3 Years	Unlimited	No Charge	No Charge
• Drive Axle				
• Driveshaft				
• Front Axle I-Beam				
• Crossmembers				
• Flywheel Housing				
• Clutch Housing	0-3 Years	Unlimited	No Charge	No Charge
Frame Rails				
Engine Emissions Control System - Federal				
Tires	0-2 Years	0-24,000	No Charge	No Charge
Corrosion (Rust Through)	0-4 Years	Unlimited	No Charge	No Charge

*The warranty coverages are determined by the mileage of the vehicle and the number of years from the delivery date. See your authorized Isuzu dealer for warranty details.



ISUZU

NRR



BENEFITS OF THE ISUZU LOW CAB FORWARD DESIGN:

Compared to conventional cab trucks, vans and cutaways, the Isuzu Low Cab Forward design delivers:

- More cargo space available for body
- Easier access to the engine compartment with the Isuzu tilt cab design
- Remarkable maneuverability with 49.5 degree wheel cut angle for tighter turning
- Driver-friendly entry and exit with 85 degree door swing, grab handles, and entry step
- Outstanding driver visibility, see the ground within 8 ft. in front of truck
- High rigidity cab for collision safety
- Durable and dependable
- Better fuel economy
- GVWR range from 12,000 lbs. to 19,500 lbs.
- Chassis configurations to handle bodies 10 to 24 feet
- Multiple engine options: two diesel and one gas with CNG/LPG capability
- Lower cost of ownership

Learn more at your local Isuzu truck dealer.

Vehicle Service and Support Programs that Provide Remarkable Lifecycle Value



Vehicle Health Reports

Performed at each scheduled maintenance cycle, this report provides operational data that helps maximize a lower cost of ownership



PSMP

Continuing maintenance program that promotes maximum vehicle uptime



24/60K Covered Maintenance

This program provides scheduled maintenance at no cost for up to 24 months or 60,000 miles, whichever comes first.



Isuzu Financing

Competitive leasing and financing options for your budget needs

Isuzu features are designed to make the driver more comfortable and improve efficiency while enhancing productivity.



Standard Interior Seats Shown



Optional Seat Covers Shown



Crew Cab Has 7-Passenger Capacity With 4-Across Seating In Back



Optional Air Deflector



Optional Vertical Exhaust



Optional Bluetooth Radio



Optional Locking DEF Cap

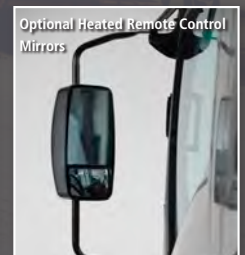


Optional Additional Fuel Tank



Microphone Included With Optional Bluetooth Radio

Remote Mirror Controls Included With Optional Heated Remote Control Mirrors



Optional Heated Remote Control Mirrors